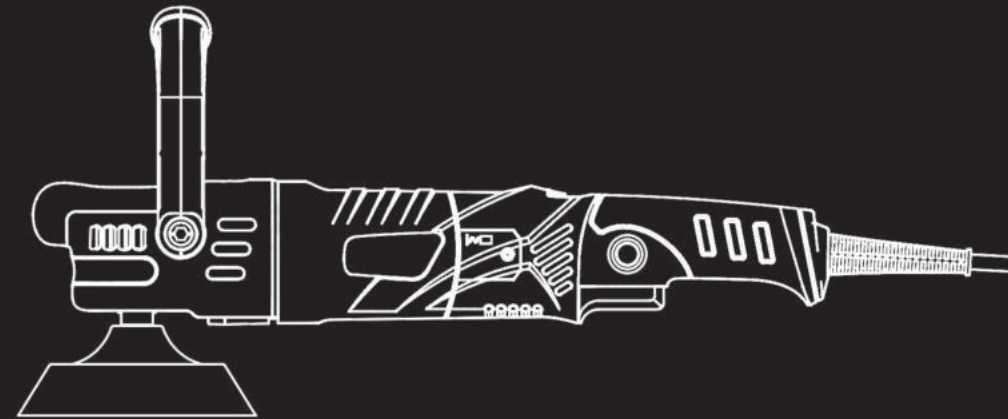



VOLTT[®]

VP103

**DOUBLE
FORCE
POLISHER** **(150mm)
(180mm)**



**User's Manual and Care Instructions For
Double Force Polisher**

 Please carefully read, understand, and follow all safety information in this manual prior to and during use of this tool. Keep these instructions handy for future reference.

Disposal information



WARNING!

Render redundant power tools unusable by removing the power cord.



EU countries only

Do not throw electric power tools into the household waste!

In accordance with the European Directive 2012/19/EU on Waste Electrical and Electronic Equipment and transposition into national law used electric power tools must be collected separately and recycled in an environmentally friendly manner.



NOTE

Please ask your dealer about disposal options!

Exemption from liability

The manufacturer and his representative are not liable for any damage and lost profit due to interruption in business caused by the product or by an unusable product. The manufacturer and his representative are not liable for any damage which was caused by improper use of the power tool or by use of the power tool with products from other manufacturers.

Symbols used in this manual



WARNING!

Denotes impending danger. Non-observance of this warning may result in death or extremely severe injuries.



CAUTION!

Denotes a possibly dangerous situation. Non-observance of this warning may result in slight injury or damage to property.



NOTE

Denotes application tips and important information.

Symbols on the power tool



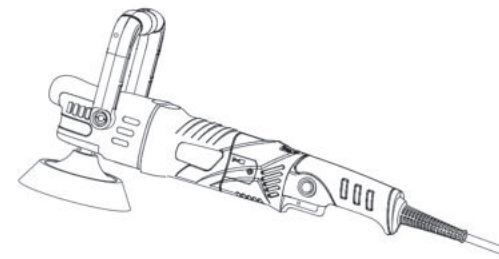
To reduce the risk of injury, read the operating instructions!



Wear goggles!



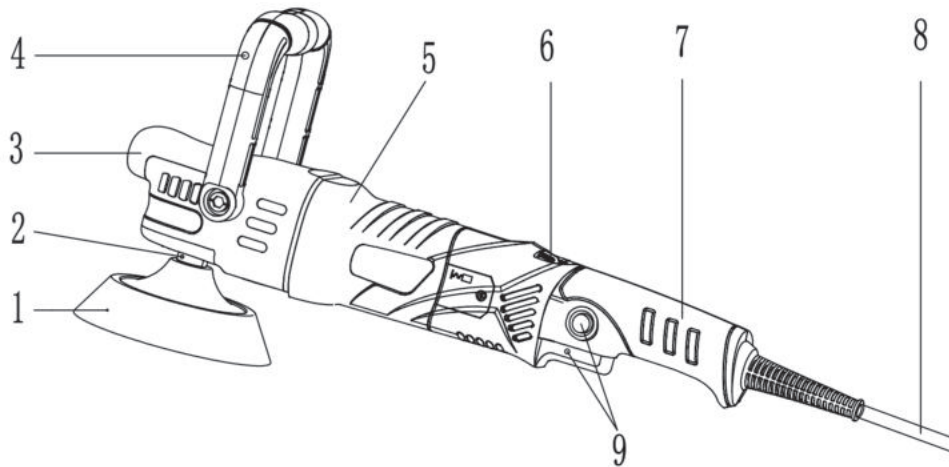
Disposal information for the old machine



Technical specifications

		VP103 (150mm)	VP103 (180mm)
Machine type		Polisher	
Tool Ø max.	mm	180	200
Spindle diameter		M14	
Idle speed	r.p.m.	380-2100	250-1380
Rated speed	r.p.m.	2600	2200
Power input	W	1300	1300
Power output	W	780	780
Weight according to "EPTA Procedure 01/2003" (without power cord)		kg	
		2.2	
Protection class		□	

Overview



- 1 polishing disk
- 2 Spindle
- 3 Gear head with handle cover
- 4 D Handle
- 5 Rating plate
- 6 Dial for preselecting speed
- 7 Handshank
- 8 Powercord with plug
- 9 Locking button/Switch

- Switch on the polisher (without engaging it) and run the polisher for approx. 30 seconds. Check for imbalances and vibrations.
- Switch off the polisher.

Changing the tool holder

- Pull out the mains plug.
- Press and hold down the spindle lock.
- Unscrew tool holder anti-clockwise and screw it off the spindle.
- Attach new tool holder (see above).

Attaching the tools

⚠ CAUTION!

Attach the tools in the centre of the tool holder. Imbalances may damage the power tool. The work result may be impaired.

Operating instructions

i NOTE

When the power tool is switched off, the tool continues running briefly.

If using a polishing paste, use the respective tool for each paste.

On sensitive surfaces (e.g. car paintwork) do not work aggressively but work at slow speeds applying low contact pressure. Sponges can be washed in the washing machine.

Maintenance and care

⚠ WARNING!

Before carrying out any work on the polisher, always pull out the mains plug.

Cleaning

⚠ WARNING!

If metals are worked over a prolonged period, conductive dust may become deposited inside the housing. Impairment of the protective insulation! Operate the power tool via a residual-current-operated circuit-breaker (tripping current 30 mA).

Regularly clean the power tool and ventilation slots. Frequency of cleaning is dependent on the material and duration of use.

Regularly blow out the housing interior and motor with dry compressed air.

Carbon brushes

The polisher features cut-off carbon brushes.

When the wear limit of the cut-off carbon brushes is reached, the polisher switches off automatically.

i NOTE

Use only original parts supplied by the manufacturer for replacement purposes. If non-original parts are used, the guarantee obligations of the manufacturer will be deemed null and void.

When the power tool is being used, the carbon brushes can be seen sparking through the rear air inlet apertures.

If the carbon brushes spark excessively, switch off the polisher immediately.

Take the polisher to a customer service workshop authorised by the manufacturer.

Gears

i NOTE

Do not completely remove the handle cover during the warranty period. Non-compliance will deem the guarantee obligations of the manufacturer null and void.

Repairs

Repairs may be carried out by an authorised customer service centre only.

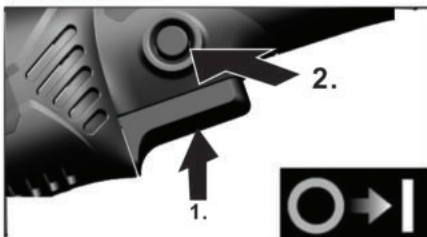
Switching on and off

Brief operation without engaged switch rocker



- Press and hold down the switch.
- To switch off, release the switch.

Continuous operation with engaged switch rocker

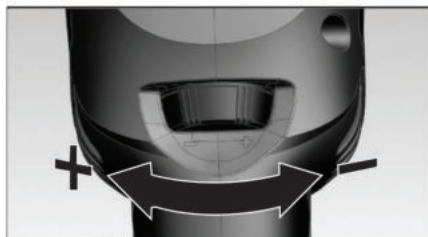


- Press and hold down switch (1.).
- To lock into position, hold down the locking button and release the switch (2.).



- To switch off, briefly press and release the switch.

Preselecting the speed



- To set the operating speed, move the dial to the required value.
- Gently press the switch to accelerate the power tool up to the preselected speed.

⚠ CAUTION!

Risk of injury due to destruction of the tool. Use the appropriate tool for the job.

i NOTE

If an overload or overheating occurs during continuous operation, the power tool automatically reduces the speed until the power tool has cooled down adequately.

For your safety

⚠ WARNING!

Before using the power tool, please read and follow:

- these operating instructions,
- the “General safety instructions” on the handling of power tools in the enclosed booklet (leaflet-no.: 315.915),
- the currently valid site rules and the regulations for the prevention of accidents.

This power tool is state of the art and has been constructed in accordance with the acknowledged safety regulations.

Nevertheless, when in use, the power tool may be a danger to life and limb of the user or a third party, or the power tool or other property may be damaged.

The polisher may be used only

- as intended,
- in perfect working order.

Faults which impair safety must be repaired immediately.

Intended use

The polisher is designed

- for commercial use in industry and trade,
- for all types of polishing work with polishing sponges, lambskins and woolskins, felt plate, buffing disc,
- for use with polishing tools which are permitted to run at a speed of at least 2600 r.p.m. (PE 14-2 150) respectively 1700 r.p.m. (PE 14-1 180).

Safety instructions for polishing

⚠ WARNING!

Read all safety warnings, instructions, illustrations and specifications provided with this power tool. Failure to follow all instructions listed below may result in electric shock, fire and/or serious injury. Save all warnings and instructions for future reference.

- This power tool is intended to function as a polisher. Read all safety warnings, instructions, illustrations and specifications provided with this power tool.

Failure to follow all instructions listed below may result in electric shock, fire and/or serious injury.

- Operations such as grinding, sanding, wire brushing, or cutting-off are not recommended to be performed with this power tool.

Operations for which the power tool was not designed may create a hazard and cause personal injury.

- Do not use accessories which are not specifically designed and recommended by the tool manufacturer.

Just because the accessory can be attached to your power tool, it does not assure safe operation.

- The rated speed of the accessory must be at least equal to the maximum speed marked on the power tool.

Accessories running faster than their rated speed can break and fly apart.

- The outside diameter and the thickness of your accessory must be within the capacity rating of your power tool.

Incorrectly sized accessories cannot be adequately guarded or controlled.

- Threaded mounting of accessories must match the grinder spindle thread. For accessories mounted by flanges, the arbour hole of the accessory must fit the locating diameter of the flange.

Accessories that do not match the mounting hardware of the power tool will run out of balance, vibrate excessively and may cause loss of control.

- Do not use a damaged accessory. Before each use inspect the accessory such as abrasive wheels for chips and cracks, backing pad for cracks, tear or excess wear, wire brush for loose or cracked wires. If power tool or accessory is dropped, inspect for damage or install an undamaged accessory. After inspecting and installing an accessory, position yourself and bystanders away from the plane of the rotating accessory and run the power tool at maximum no-load speed for one minute.

Damaged accessories will normally break apart during this test time.

- **Wear personal protective equipment.** Depending on application, use face shield, safety goggles or safety glasses. As appropriate, wear dust mask, hearing protectors, gloves and shop apron capable of stopping small abrasive or workpiece fragments.

The eye protection must be capable of stopping flying debris generated by various operations. The dust mask or respirator must be capable of filtrating particles generated by your operation. Prolonged exposure to high intensity noise may cause hearing loss.

- **Keep bystanders a safe distance away from work area.** Anyone entering the work area must wear personal protective equipment.

Fragments of workpiece or of a broken accessory may fly away and cause injury beyond immediate area of operation.

- **Position the cord clear of the spinning accessory.**

If you lose control, the cord may be cut or snagged and your hand or arm may be pulled into the spinning accessory.

- **Never lay the power tool down until the accessory has come to a complete stop.**

The spinning accessory may grab the surface and pull the power tool out of your control.

- **Do not run the power tool while carrying it at your side.**

Accidental contact with the spinning accessory could snag your clothing, pulling the accessory into your body.

- **Regularly clean the power tool's air vents.** The motor's fan will draw the dust inside the housing and excessive accumulation of powdered metal may cause electrical hazards.

- **Do not operate the power tool near flammable materials.**

Sparks could ignite these materials.

- **Do not use accessories that require liquid coolants.**

Using water or other liquid coolants may result in electrocution or shock.

Kickback and Related Warnings:

Kickback is a sudden reaction to a pinched or snagged rotating wheel, backing pad, brush or any other accessory. Pinching or snagging causes rapid stalling of the rotating accessory which in turn causes the uncontrolled power tool to be forced in the direction opposite of the accessory's rotation at the point of the binding. For example, if an abrasive wheel is snagged or pinched by the workpiece, the edge of the wheel that is entering into the pinch point can dig into the surface of the material causing the wheel to climb out or kick out. The wheel may either jump toward or away from the operator, depending on direction of the wheel's movement at the point of pinching. Abrasive wheels may also break under these conditions. Kickback is the result of power tool misuse and/or incorrect operating procedures or conditions and can be avoided by taking proper precautions as given below.

- **Maintain a firm grip on the power tool and position your body and arm to allow you to resist kickback forces.**

Always use auxiliary handle, if provided, for maximum control over kickback or torque reaction during start-up.

The operator can control torque reactions or kickback forces, if proper precautions are taken.

- **Never place your hand near the rotating accessory.**

Accessory may kickback over your hand.

- **Do not position your body in the area where power tool will move if kickback occurs.**

Kickback will propel the tool in direction opposite to the wheel's movement at the point of snagging.

- **Use special care when working corners, sharp edges etc. Avoid bouncing and snagging the accessory.**

Corners, sharp edges or bouncing have a tendency to snag the rotating accessory and cause loss of control or kickback.

- **Do not attach a saw chain woodcarving blade or toothed saw blade.**

Such blades create frequent kickback and loss of control.

Safety Warnings Specific for Polishing Operations:

- **Do not allow any loose portion of the polishing bonnet or its attachment strings to spin freely. Tuck away or trim any loose attachment strings.** Loose and spinning attachment strings can entangle your fingers or snag on the workpiece.

Additional safety instructions

- The mains voltage and the voltage specifications on the rating plate must correspond.
- Do not press the spindle lock until the tool stops.

Noise and vibration

The noise and vibration values have been determined in accordance with EN 60745. The A evaluated noise level of the power tool is typically:

- Sound pressure level L_{pA} : 80 dB(A);
- Sound power level L_{WA} : 91 dB(A);
- Uncertainty: $K = 3$ dB.

Total vibration value (when polishing painted surfaces):

- Emission value a_h : < 2.5 m/s²
- Uncertainty: $K = 1.5$ m/s²

CAUTION!

The indicated measurements refer to new power tools. Daily use causes the noise and vibration values to change.

NOTE

The vibration emission level given in this information sheet has been measured in accordance with a standardised test given in EN 60745 and may be used to compare one tool with another. It may be used for a preliminary assessment of exposure. The declared vibration emission level represents the main applications of the tool. However if the tool is used for different applications, with different accessories or poorly maintained, the vibration emission may differ. This may significantly increase the exposure level over the total working period. For a precise estimation of the vibration load the times should also be considered during which the power tool is switched off or even running, but not actually in use.

This may significantly decrease the exposure level over the total working period. Identify additional safety measures to protect the operator from the effects of vibration such as: maintain the tool and the accessories, keep the hands warm, organisation of work patterns.

CAUTION!

Wear ear protection at a sound pressure above 85 dB(A).

Operating instructions

WARNING!

Before carrying out any work on the polisher, always pull out the mains plug.

CAUTION!

The available mains voltage and the voltage specifications on the rating plate must be the same.

Before switching on the power tool

- **Unpack the polisher and check that there are no missing or damaged parts.**